

PERFORMANCE LITE IP CAMERAS

2MP IP IR BULLET CAMERA

HIB2PI-L

Honeywell's new Performance Lite IP camera series is aimed to provide high quality surveillance as an affordable offering for the small and medium businesses including small retail shops, gyms, schools, residential homes, etc.

The new series includes 2MP IR cameras, HIB2PI-L, in bullet configuration, with fixed lens option and plastic body to cater to all kinds of customer applications. The cameras come with IR LEDs to provide effective and efficient surveillance even during the night. The cameras are IP67 rated which makes them resilient for outdoor applications as well.



Sensor



Min.
Illumination



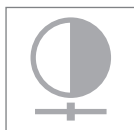
DWDR



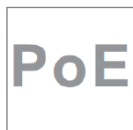
Motion
Detection



Day & Night



AWB



POE



Water-proof

KEY FEATURES

- 2MP, Resolution: 1920 X 1080, H.265 codec compression
- Up to 20 m IR distance
- 3D DNR, Digital WDR, HLC, BLC, defog
- ICR auto switch, true day / night, ROI coding
- IP 67 certified
- Supports dual streams
- Support mobile surveillance by smart phones with iOS and Android OS access through Honeywell NVR.

PERFORMANCE LITE IP SD CAMERAS 2MP IP IR BULLET CAMERA

SPECIFICATIONS

CAMERA		HIB2PI-L
Image Sensor		1 / 3.2"CMOS
Number of Pixels (H x V)		1920 x 1080
Electronic Shutter Speed		1/25s ~ 1/ 100000s
Iris		Fixed Iris
Min Illumination		0.012lux @F1.2, AGC ON; 0 lux with IR 0.046 lux @ F2.0, AGC ON; 0 lux with IR
Lens		3.6 mm @F2.0, (fixed lens), horizontal field of view: 75.8°
Day & Night		TDN
Wide Dynamic Range		Digital WDR

IMAGE	
Video Compression	H.265 / H.264 / MJPEG
Resolution	1080P (1920 × 1080), 720P (1280 × 720), D1, 480 × 240, CIF
Number of Streams	2 (Main Stream, SubStream)
Frame Rate	Main Stream: 60Hz:1080P/720P(1~30fps); 50Hz: 1080P/720P(1~25fps) Sub Stream: 60Hz: D1/CIF/480×240(1~30fps); 50Hz: D1/CIF/480×240 (1~25fps)
Bit Rate	64 Kbps ~ 6Mbps
Encode Mode	VBR / CBR
Image Settings	ROI, Saturation, Brightness, Chroma, Contrast, Wide Dynamic, Sharpen, NR, etc. adjustable through client software or web browser
ROI	3, Each ROI to be configured separately

INTERFACES	
Network	RJ45

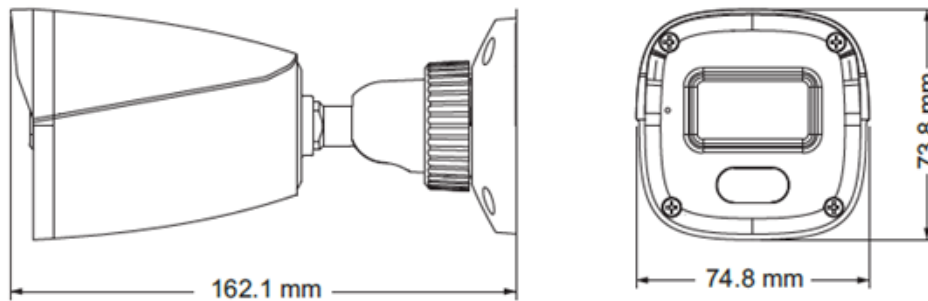
FUNCTIONS	
Remote Monitoring	Web browsing, CMS remote control
Online Connection	Support simultaneous monitoring for up to 3 users; Support multi-stream real time transmission
Network Protocol	UDP, IPv4, IPv6, DHCP, NTP, RTSP, PPPoE, DDNS, SMTP, FTP, 802.1x, UPnP, HTTP, HTTPS, QoS
Motion Alarm	Supported
IR Distance	10 ~ 20m
IP Rating	IP67

PERFORMANCE LITE IP SD CAMERAS 2MP IP IR BULLET CAMERA

OTHERS	
Power Supply	DC 12V / PoE
Power Consumption	<5 W
IR Consumption ON	1 W
Operating Temperature	-20 deg C to 55 deg C, Humidity< 95% (non-condensing)
Dimensions (mm)	162.1 × 74.8 × 73.8
Weight	Approx. 0.24KG
Installation	Ceiling mounting; Wall mounting

DIMENSIONS

HIB2PI - L



ORDERING INFORMATION

Order Codes	
HIB2PI - L	1/3.2" CMOS Sensor, 2 MP Fixed lens, TDN, DWDR, 3.6 mm, 12 VDC / PoE

For more information,
<https://honeywellbuildings.in>
Call: 1-800-103-0339
Email: HBT-Indiabuildings@honeywell.com

Honeywell HBT India Buildings
Unitech Trade Center, 5th Floor, Sector-43,
Block C, Sushant Lok Phase - I,
Gurgaon - 122 002

www.honeywell.com

© 2020 Honeywell International Inc.

PERFORMANCE LITE IP SD CAMERAS
2MP IP IR BULLET CAMERA

Honeywell