

ONYX FirstVision™

Interactive Firefighters' Display



Network Systems

General

ONYX FirstVision™ is a revolutionary wayfinding navigational tool for firefighters and other emergency responders. ONYX FirstVision's touch screen interface graphically displays critical information on the origin and spread of a fire, allowing firefighters to quickly locate and extinguish it.

With ONYX FirstVision, emergency responders can immediately gather the information needed to accurately pinpoint the source of the fire and the rate at which it's spreading. Crucial information is easy to access with a spatial, graphical depiction of the location of activated detectors and detector sequence of activation for one or multiple buildings. In addition, ONYX FirstVision is an interactive interface. It displays a summary of building floor plans with detailed information about the building. Details can include locations for all fire alarm devices; water supplies; evacuation routes; access routes; chemical and structural hazards in the building; and shutoffs for gas, power, and HVAC.

Features

GENERAL

- 22" LCD touch-screen.
- Interfaces with ONYX® Series panels or NOTI•FIRE•NET (version 5.0 or higher) through the NFN Gateway over Ethernet.
- Compatible with standard and High Speed NOTI•FIRE•NET™.
- Supports the following additional languages: French (Canadian), Hebrew, Korean, Portuguese, Spanish, Thai, and Chinese (Traditional and Simplified).
- Supports multiple gateways for large networks and campuses.

USER INTERFACE

- Large intuitive display shows building floor plans in a campus footprint with respective active fire alarm devices, water supplies, evacuation routes, access routes, gas, power and HVAC shutoffs, and chemical and structural hazards in the building.
- Detailed information for active devices or critical building icons on the floor plan.
- Easy access to building, emergency contacts, site plan, and alarm event information.
- Able to print screenshots.
- Materials Safety Datasheet (MSDS) attachment.
- User download of event log file.

EVENT NOTIFICATION

- Graphic and text event notification of fire, supervisory, security, and medical events.
- Fast automatic navigation to floors and locations of the emergency events.
- Priority based event list display.
- First alarm display to identify where the emergency started.
- Time sequence display of activated detectors to track smoke progression.



- Configurable sound notification with silence selection.
- Configurable to unlock door based on events.

SYSTEM SETUP

- Shared configuration tool with ONYXWorks can easily import building floor plan CAD drawings (as a .dxf, .wmf, .bmp, or .jpg file) and VeriFire® Tools databases.
- Standard icon library indicates fire alarm and critical building devices.
- Ethernet and USB ports available for transferring screen database information.

Specifications

NOTE: Dimensions are subject to change. Contact NOTIFIER for further information.

Enclosure Dimensions: 24.53" W X 21.92" H X 3.47" D
(62.30 cm H x 55.68 cm W x 8.81 cm D).

- **Door Dimensions:** 26.70" W X 23.06" H X 0.41" D
(67.81 cm H x 58.57 cm W x .10 cm D).
- **Power Requirements:** Regulated, filtered 24 VDC @ 3.0 A via non-resettable power supply, UL Listed for fire-protective signaling use.
- **Temperature Range:** 0°C – 50°C (32°F – 120°F).

Listings and Approvals

These listings and approvals apply to ONYX FirstVision™.

- **UL/ULC Listed:** S5697
- **MEA:** 286-07-E
- **CSFM:** 7300-1525:0103
- **FDNY:**
COA#6211 (NFS2-3030)
COA#6212 (NFS2-640/NFS-320)

Ordering Information

WARRANTY: This product is warranted from date of purchase for a period of 15 months. Refer to NOTIFIER's Limited Warranty Policy for additional information.

FIRSTVISION-LCD: ONYX FirstVision™ User Interface software and hardware package. Includes 22" LCD touch-screen, Onboard Ethernet, and USB ports. Also includes one software license and screen configuration software (FirstVision-SCT). Does not include backbox, order separately.

FIRSTVISION-ENC: ONYX FirstVision™ backbox enclosure and door.

Additional required components:

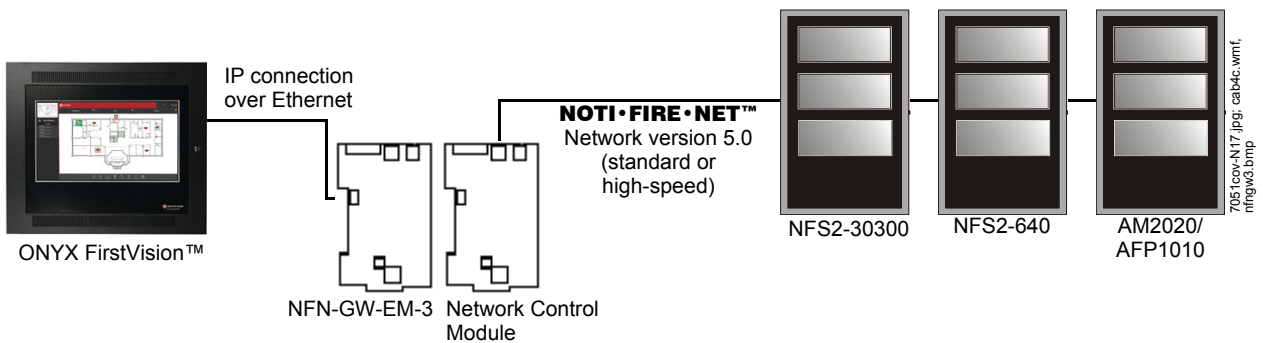
- NOTI•FIRE•NET Gateway (P/N NFN-GW-EM-3 or NFN-GW-PC-xx series).

- NCM-W, NCM-F or HS-NCM/WMF/WSF/MFSF for connection to NOTI•FIRE•NET™.
- Standard Ethernet network cable with RJ45 connectors.
- Standard Ethernet network cable with RJ45 connectors and hub/switch or Standard Ethernet crossover cable
- PC with Windows® 7 Professional compatible and available Ethernet or USB port (used for programming).

Applications

An ONYX FirstVision™ display is an ideal component of a NOTIFIER fire system providing real-time fire system status to firefighters and other emergency responders. ONYX FirstVision™ interfaces directly to ONYX Series control panels and an entire NOTI•FIRE•NET network.

Firefighters' Display

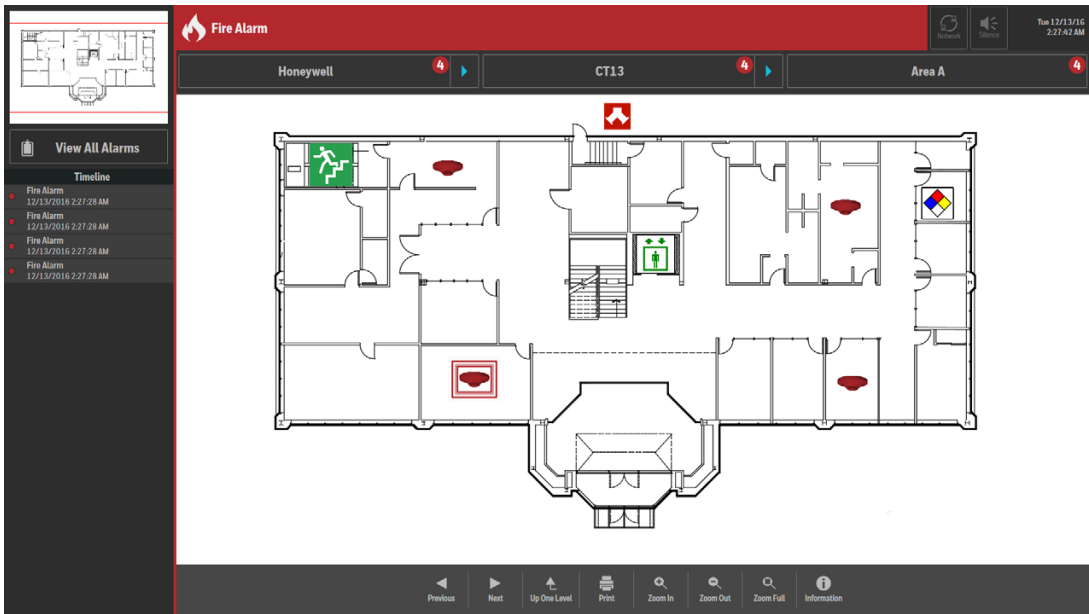


ONYX FirstVision™ Software

NOTE: This is not a complete list of all the icons. The following icons are a representative sample.

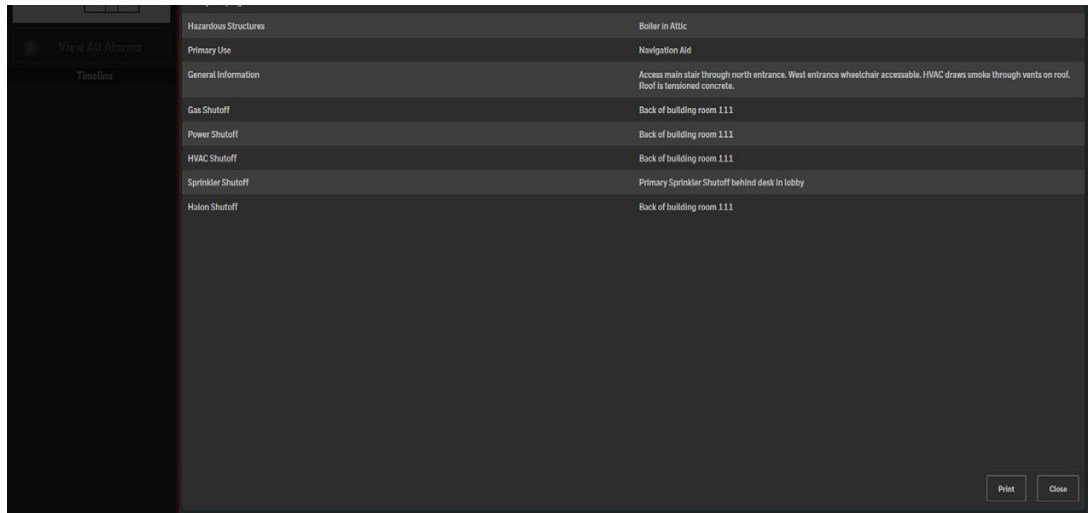
GRAPHICAL ICON KEY

 Duct Detector	 Hydrant	 Fire Service Keybox	 Pullstation
 Gas Shutoff	 HVAC Shutoff	 Fire Service Display	 Hazard
 Gas Tank	 Locked Door	 Master Sprinkler Shutoff	 Smoke Detector
 Halon	 Area of Refuge	 Power Shutoff	 Standpipe
 Heat Detector	 Fire Phone	 Room Contains Hazardous Materials	 Stairs



art7051FloorPlan-N17.jpg

**Building Floor Plan View
with Event List**



7051BuildingWindowN-17.jpg

Building Information Window

NOTIFIER®, ONYX®, and Veri-Fire® are registered trademarks of, and NOTI•FIRE•NET™, ONYX FirstVision™, and Rapid Eye™ are trademarks of Honeywell International Inc. Microsoft® and Windows® are registered trademarks of Microsoft Corporation. IBM® is a registered trademark of IBM Corporation.
©2017 by Honeywell International Inc. All rights reserved. Unauthorized use of this document is strictly prohibited.



This document is not intended to be used for installation purposes.
We try to keep our product information up-to-date and accurate.
We cannot cover all specific applications or anticipate all requirements.
All specifications are subject to change without notice.



Assembled in the U.S.A.

For more information, contact Notifier. Phone: (203) 484-7161, FAX: (203) 484-7118.
www.notifier.com